



www.santos.fr



Professional juice extractor # 28

For all fruits and vegetables
(citrus fruits must be peeled)
Continuous juice production
by centrifugal action and
automatic pulp ejection



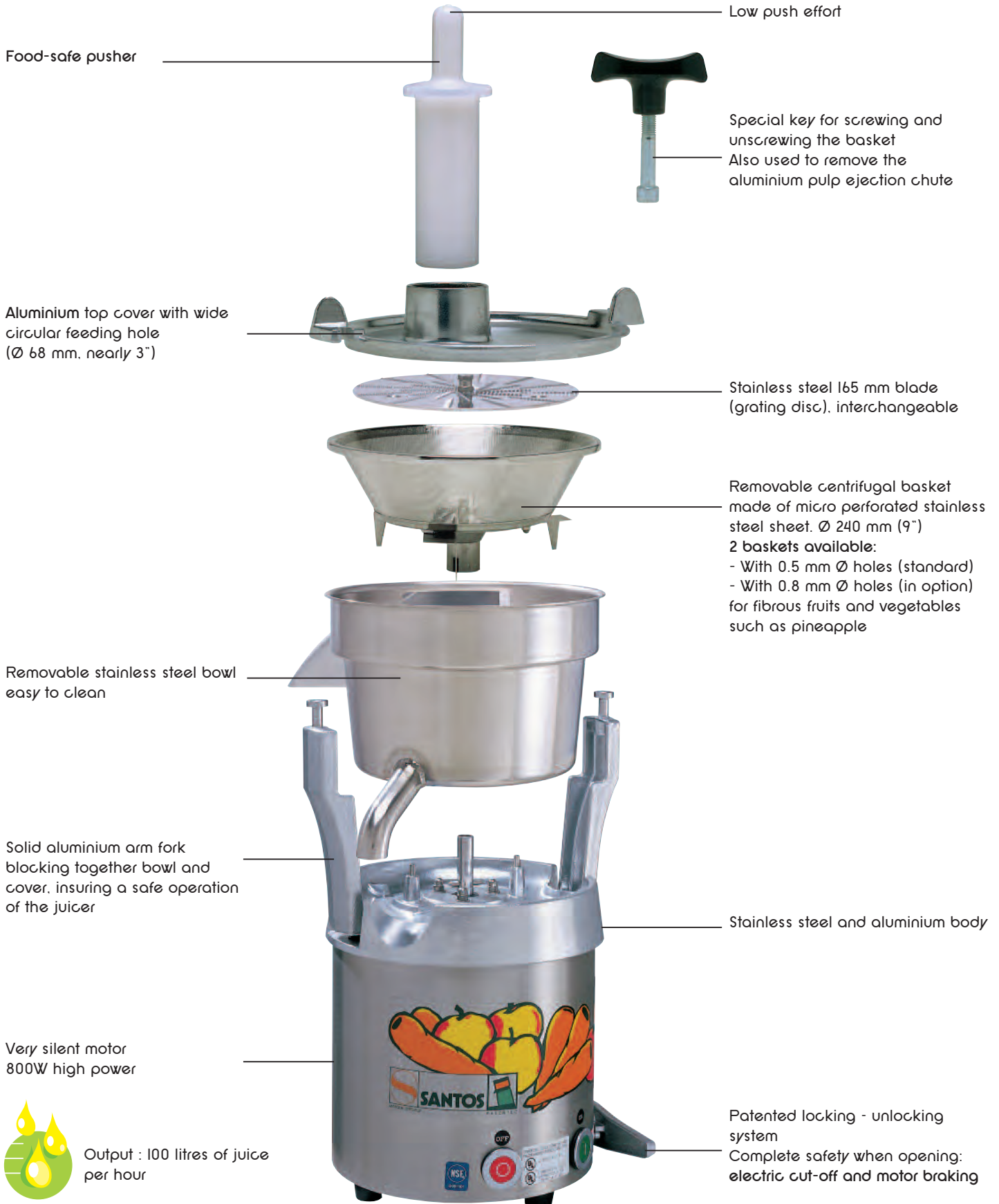
Internationally Patented Models



Professional Centrifugal

Introducing the Santos Juicer #28

You can make any kind of fruit and vegetable juices and keep all the vitamins with the juice extractor # 28. It is the ideal appliance for juice bars, restaurants, institutions, health food stores...



Juice Extractor #28

Santos: worldwide leader in commercial juicers

www.santos.fr



The experience of SANTOS on the worldwide centrifugal juicer market is the warranty of the best results in terms of quality of juice, output and safety.

The professional centrifugal juice extractor #28 accepts any kind of fruits and vegetables (carrots, tomatoes, grapes, cucumbers, apples, celery, ginger, pineapple, melon...).

It produces up to 100 litres of juice per hour.

It allows you to make all fruits and vegetable juice, cocktails, sauce, ice cream, sorbets...

Technical specifications

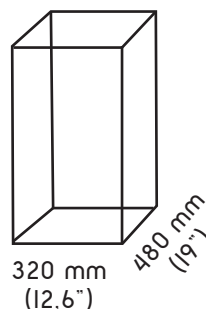
Motor

Single phase : 100-120 V - 50/60 Hz - 1300 W - UL, NSF, CE
220-240 V - 50/60 Hz - 1300 W - CE, GS
Speed : 3000 rpm (50 Hz) 510 mm (20")
3600 rpm (60 Hz)

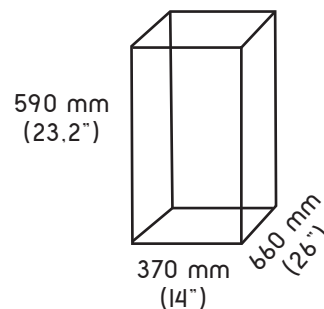
Weight

Net : 24 Kg (53 lbs)
Shipping : 27 Kg (59.5 lbs)

Appliance :



Shipping box :



Safety - Standards - Hygiene

In accordance with the following regulations:

- ◆ Machinery directive 2006/42/EC
- ◆ Electromagnetic compatibility 2004/108/EC
- ◆ "Low voltage" directive 2006/95/EC
- ◆ RoHS Directive 2002/95/EC
- ◆ Regulation 1935/2004/EC (contact with food)
- ◆ Harmonized European standards
EN 12100-1 and 2 : 2004 ; EN 60204-1 : 2006 ;
EN 60335-2-64 : 2004
- ◆ CE European standards, GS (Germany) controlled by LNE laboratory, UL (USA) and cUL (Canada), NSF (USA)

Mechanical safety

- A friction brake immediately stops the basket when opening

Electrical safety

- All mechanical parts are ground connected
- All equipment is perfectly controlled after assembly (special electrical testing bay)
- Overload protection

Thermal safety

- Motor by internal thermal detector.
- Motor is thermal disconnected from the body of the juicer to protect user against heat

Acoustic safety

The asynchronous motor with direct driving is particularly silent

Hygiene

All removable parts (with the exception of the base) can be put in a dishwasher or easily cleaned with hot soapy water

PRODUCT : 2-YEAR WARRANTY - MOTOR : 5-YEAR WARRANTY

Professional centrifugal juice extractor #28

