



[www.santos.fr](http://www.santos.fr)

**ICE CRUSHER # 09**  
For crushed and snow ice

**New  
design**



Internationally patented model

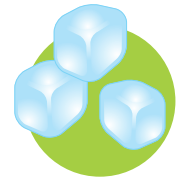
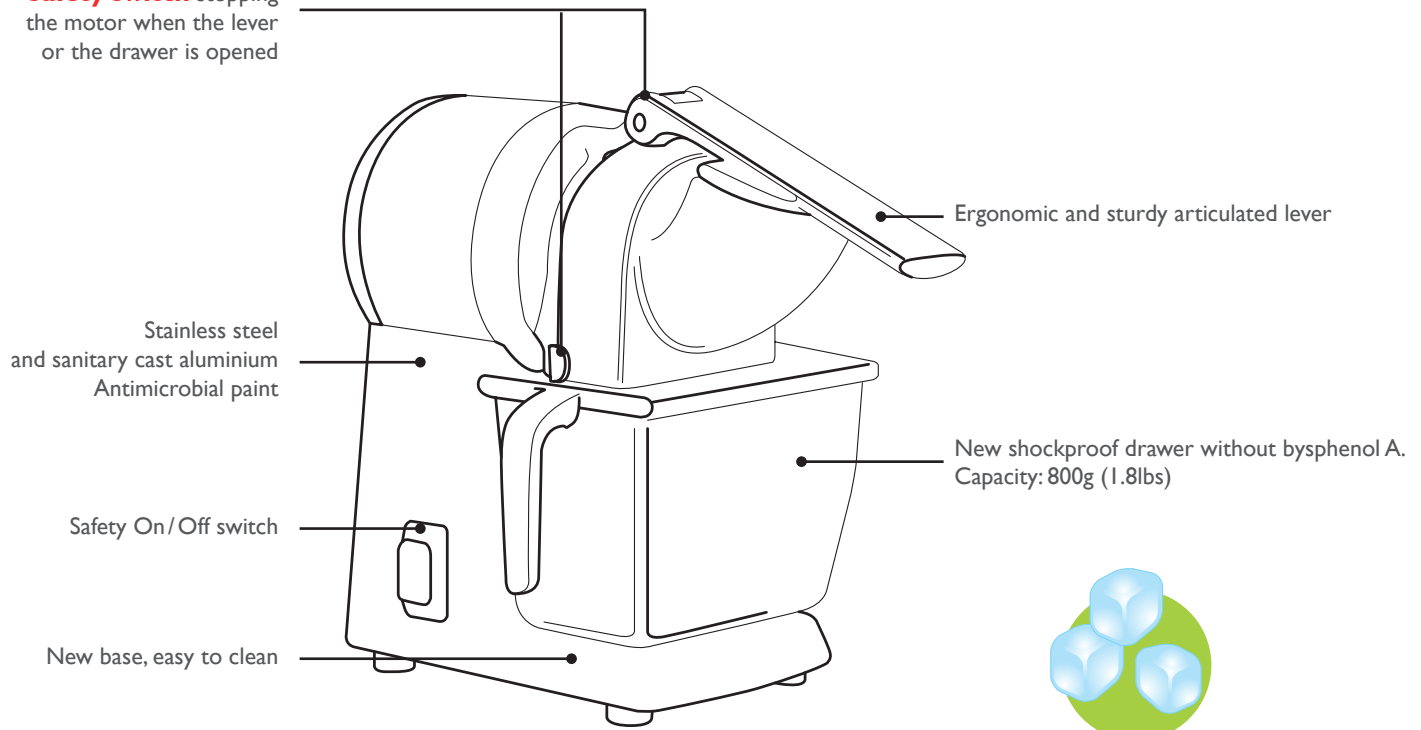




## NEW ICE CRUSHER

**New ice crusher**, powerful and sturdy, delivered with an adjustable disc to make snow ice or crushed ice. Ideal for bars, restaurants, fish shops, caterers... Its new design facilitates cleaning and maintenance.

**Safety switch** stopping the motor when the lever or the drawer is opened



**100Kg/ Hour**  
(220lbs/ hour)

## NEW APPLICATIONS



# ICE CRUSHER # 09



## ONE DISC = TWO POSSIBILITIES

www.santos.fr

The ice crusher # 09 is delivered with one adjustable disc which can make snow ice and crushed ice.



Disc adjusted in "snow ice" position



Disc adjusted in "crushed ice" position



**Option:** All the discs for the Grater # 02 are adaptable to the ice Crusher # 09

## TECHNICAL SPECIFICATIONS



### Motor

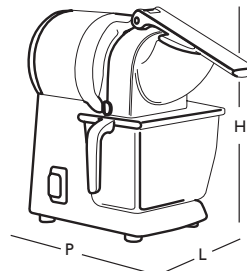
Single phase: 220-240V – 50/60 Hz – 600W – EC  
100-120V – 50/60 Hz – 650W – EC, UL

Speed: | 500 rpm (50Hz)  
| 800 rpm (60 Hz)



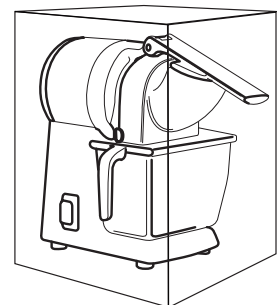
### Weight

Net: 14,5 Kg (32 lbs)  
Shipping: 15,5 Kg (34 lbs)



### APPLIANCE

L : 250 mm / 10"  
P : 420 mm / 16,5"  
H : 360 mm / 14"



### SHIPPING BOX

L : 295 mm / 12"  
P : 455 mm / 21"  
H : 410 mm / 16"

## SAFETY, STANDARD, HYGIENE

### In accordance with the following regulations

Machinery directive 2006/42/EC  
Electromagnetic compatibility 2004/108/EC  
"Low voltage" directive 2006/95/EC  
Regulation 1935/2004/EC (contact with food)  
RoHS directive 2002/95/EC

Harmonized European Standards  
NF EN ISO 12100 - 1 & 2: 2004  
NF EN 60204-1: 2006

CE (European standards), UL (USA) and cUL (Canada)

### Thermal Safety

Motor protected by internal thermal detector.

### Acoustic Safety

Very silent and powerful asynchronous motor.

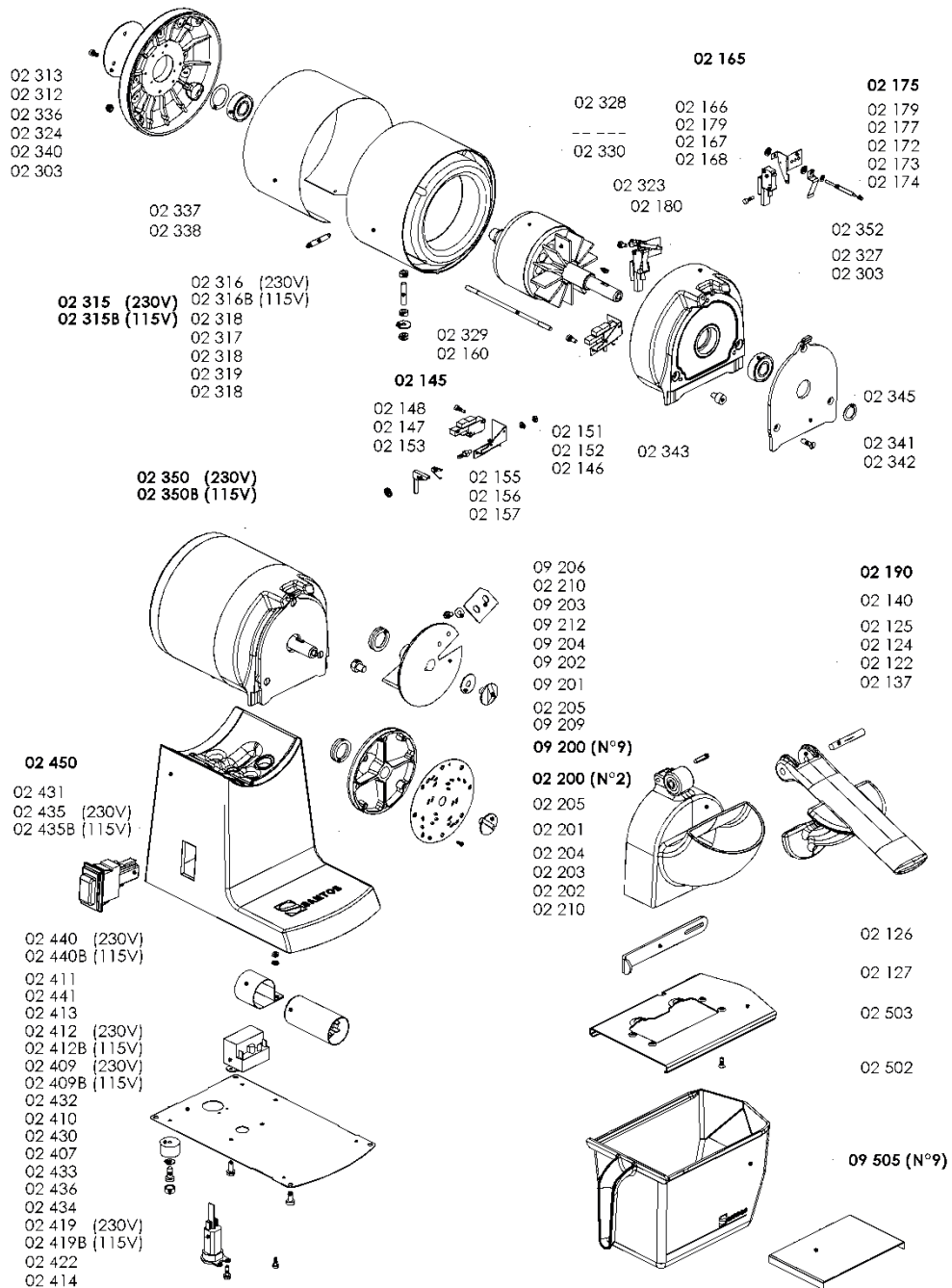
### Hygiene

All removable parts can be put in a dishwasher or easily cleaned with hot soapy water.

# ICE CRUSHER #09



www.santos.fr



140-150 AV ROGER SALENGRO – 69120 – VAULX EN VELIN – LYON – FRANCE – TEL. +33 472 37 35 29 – FAX. +33 478 26 58 21  
**Website:** www.santos.fr – **E-mail:** santos@santos.fr